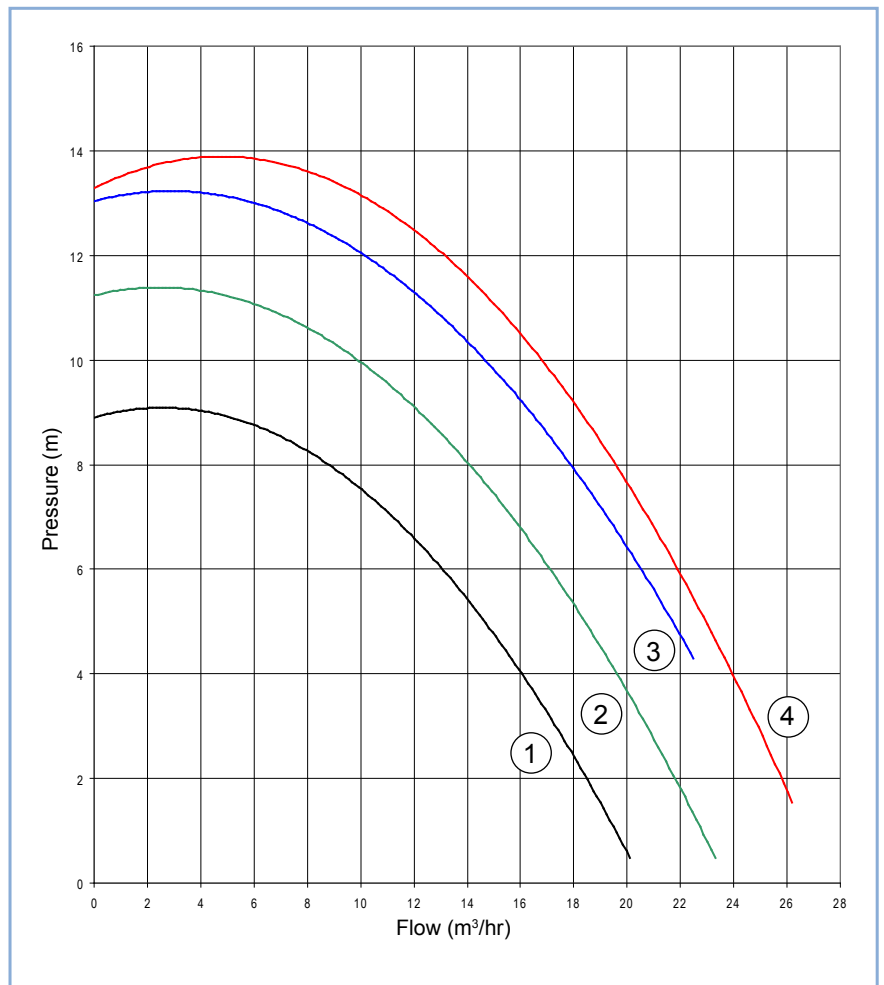




FILTRATION PUMP FOR SWIMMING-POOLS

PERFORMANCE CURVES



APPLICATIONS :

- HYDROMASSAGE PUMP FOR SPAS / WHIRLPOOL STEPS
- FILTRATION PUMP FOR IN GROUND AND ABOVE GROUND SWIMMING-POOLS

TECHNICAL FEATURES :

- PUMP BODY IN POLYPROPYLENE
- ANODIZED ALUMINIUM FLANGE
- SPECIFIC SWIMMING-POOL BEARINGS
- 3 DRAIN PLUG POSITIONS
- HOSTAFORM IMPELLER
- ELECTROLYSOR COMPATIBLE
- VALIDATED AND QUALIFIED BY THE ORGANISATION TÜV
- UNION FITTINGS INLET/OULTET 2"1/4 STANDARD ON PIPE Ø50MM EXT. TO BE STUCK
- TROPICAL ATMOSPHERE COMPATIBLE

TECHNICAL FEATURES

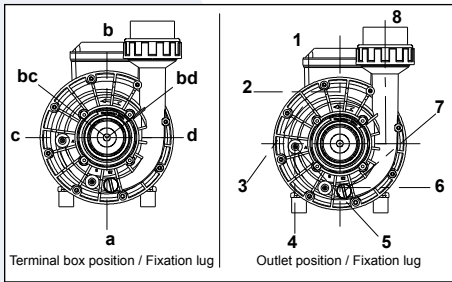
Curves	Single phase type	Input power (W)	Output power		H [m]	12	10	8	6	Inlet	Outlet
			Watt	HP							
1	PB I 1C 250 K4B	560	305	0,4		*	*	9	13	2"1/4*	2"1/4*
2	PB I 1C 270 K4B	900	730	1		*	10	14	17		
3	PB I 1C 285 K4B	1150	975	1,3		10	15	18	21		
4	PB I 1C 80 K1B	1350	1200	1,6		13	17	19	22		

* Three phase contact us

* operating point proscribed

* others please contact us

BULK DIMENSIONS



OPTIONS :

AVAILABLE IN SINGLE PHASE AND THREE PHASE

220 V / 50 HZ
220 V / 60 HZ
110 V / 60 HZ

VARIABLE SPEED (MV)
130 V / 230 V

PUMP ABLE TO OPERATE WITH VARIABLE FREQUENCIES

PNEUMATIC SWITCH (CP)

ELECTRIQUE CABLE (CE)
0.5 / 1 / 2 / 2.5M

1 FUNCTION ELECTRONIC CARD FOR ELECTRONIC CONTROL + WATER LEVEL SENSOR (1F - EL)

1 FUNCTION ELECTRONIC CARD FOR PNEUMATIC CONTROL + WATER LEVEL SENSOR (1F - CP)

SILENT BLOCK

GENERAL :

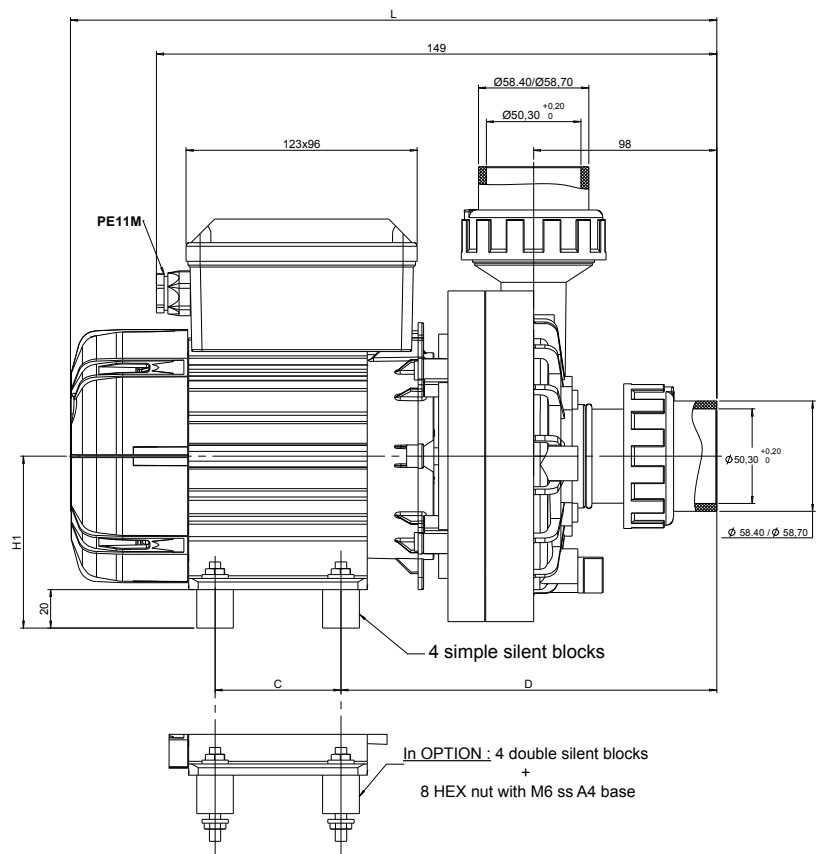
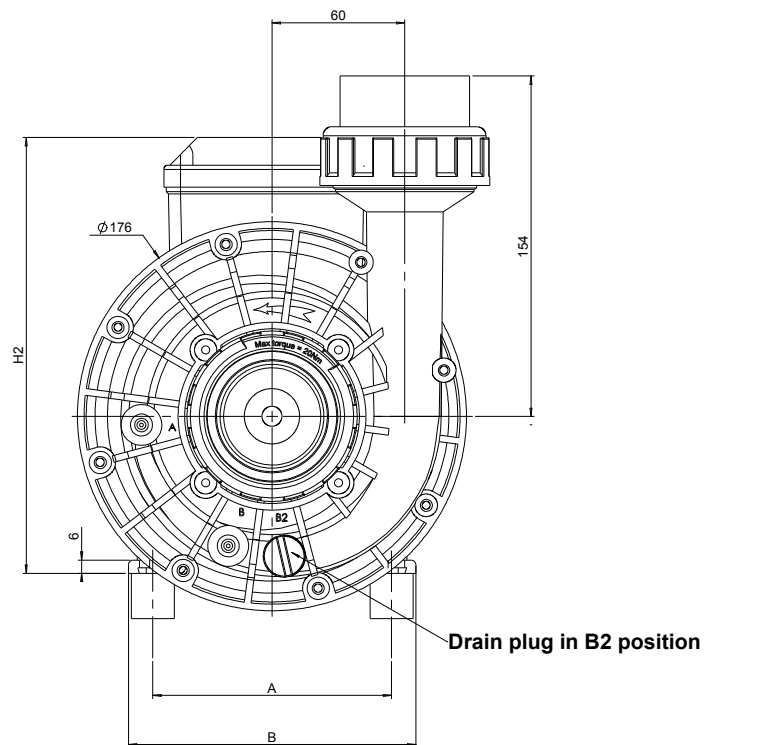
THESE PUMPS COMPLY WITH THE STANDARDS AND DIRECTIVES IN FORCE.

COMPLIES WITH STANDARDS :

EN 60 335 - 1
EN 60 335 - 2 - 41
CE



VALIDATED AND QUALIFIED BY THE ORGANISATION TÜV



	L (mm)	A (mm)	B (mm)	C (mm)	D (mm)	H1 (mm)	H2 (mm)	Weight (kg)
PBI 1C250 K4B	309	108	130	32	200	91	197,5	6,6
PBI 1C270K4B	329	108	130	52	200	91	197,5	8
PBI 1C285K4B	344	108	130	67	200	91	197,5	9
PBI 1C80K1B	366	125	147	100	195	100	206,5	10